

Oil-air mixing distributor 4299

Metering elements

Technical data

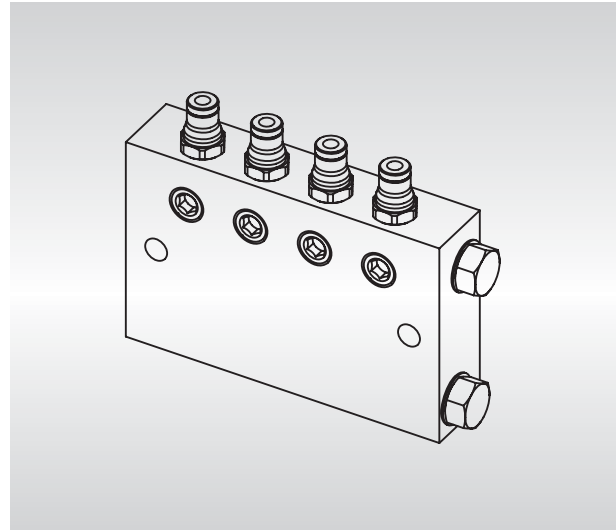
Material: flat aluminium material
 No of lube points: optional 2 / 4 / 6 / 8
 Installation position: arbitrary
 Ambient temperature: 0 to 70 °C

with non-return valve between air and metering connection

Metering valve cartridge

Metering volume: 10 mm³
 Relief pressure: < 1 bar
 Operating pressure: 10 to 50 bar
 Lubricant: mineral oils
 synthetic oils
 20 to 300 cSt

Lubricant temperature range: 0 bis 70 °C

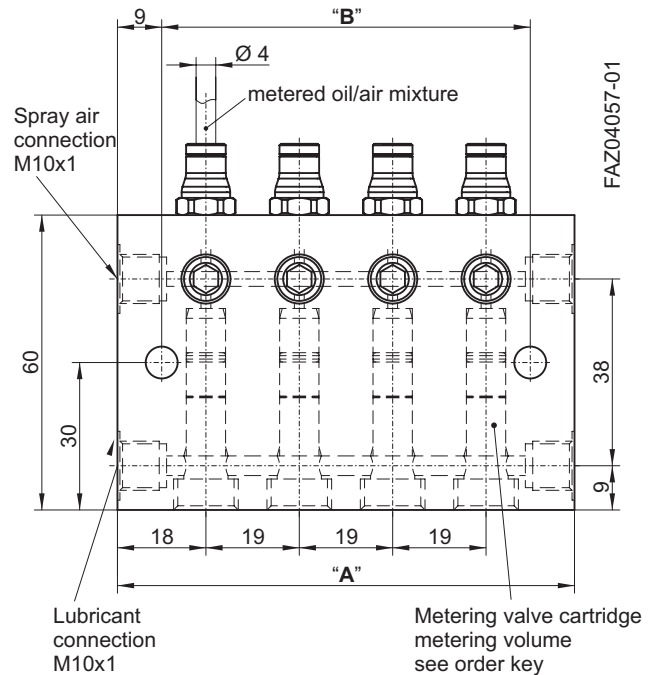
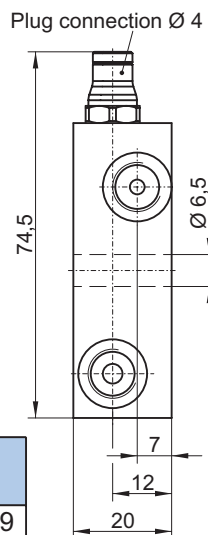


Sealing ring and set screw for locking the oil and air line are at the system ending. Order separately if necessary!

Sealing ring 10x14x1
 Order-no.: 090760300311



Screw and ventilation screw ES 10.1
 Order-no.: 0802000255



No. of lube points	2	4	6	8
Dim. "A" (mm)	55	93	131	169
Dim. "B" (mm)	37	75	113	151

Order key for type 4299

Type number	4299			
Code	4299			
No. of lube points	2	4	6	8
Code	2	4	6	8
Metering volume (mm³ / stroke)	10	20	30	50
Code	1	2	3	4
Sprayed air connection	M10x1			
Code	1			
Metered lubricant connection	M10x1			
Code	1			
Press. connection oil/air mix.	plug type conn. Ø 4 - M8x1			
Code	1			
Special versions	none			
Code	00			

4299 2 1 1 1 1 00

Subject to alterations!

© BEKA 2012 All rights reserved!