

Piston pumps (oil)

Series A - rotating drive



AZU

Oil lubrication pumps

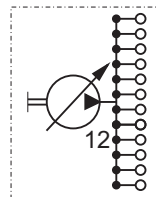
Technical data

Pump

Output rate:	max. 0,06 cm ³ per stroke and outlet
Regulation of output:	1 - 6 individual outlets 7 - 12 outlets in pairs
Driving speed:	max. 200 r.p.m. at 8:1 max. 400 r.p.m. at 16:1 max. 600 r.p.m. at 25:1 max. 1300 r.p.m. at 50:1
Operating pressure:	max. 10 bar
Suction height:	max. 500 mm
Lubricant:	oil
Viscosity range:	25 - 1500 mm ² /s
Temperature range:	medium 0 - 70 °C ambient 0 - 40 °C
No. of outlets:	max. 12
Outlet type:	see order key
Sense of rotation:	optional
Drive:	rotating
Weight:	1,4 kg



Symbol



Order key for type-no. 2240

2240 01 06 1 1 000

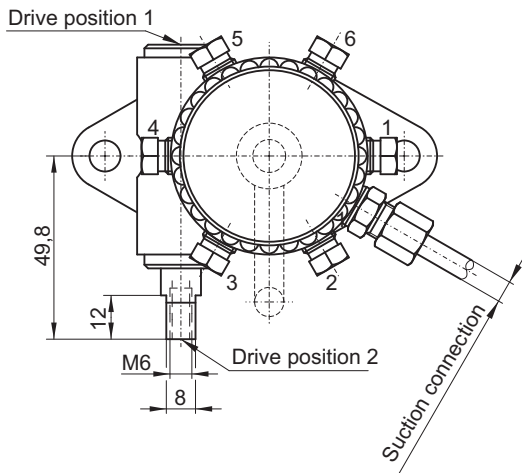
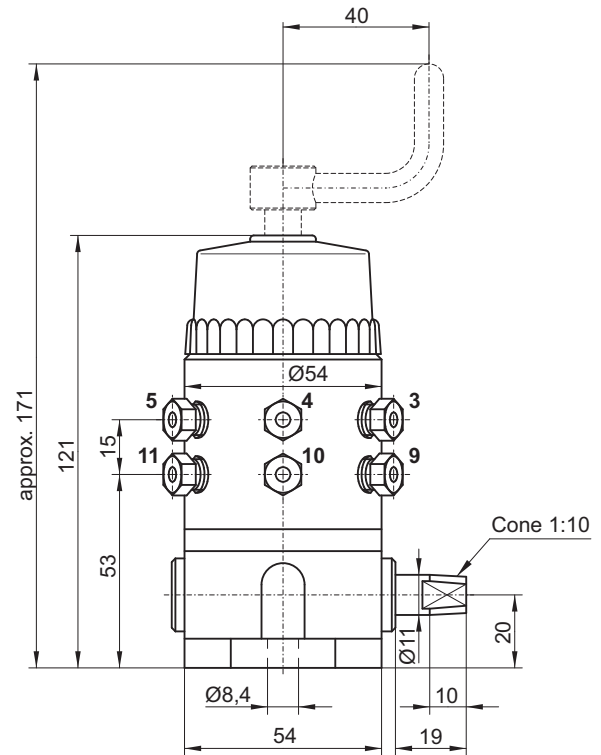
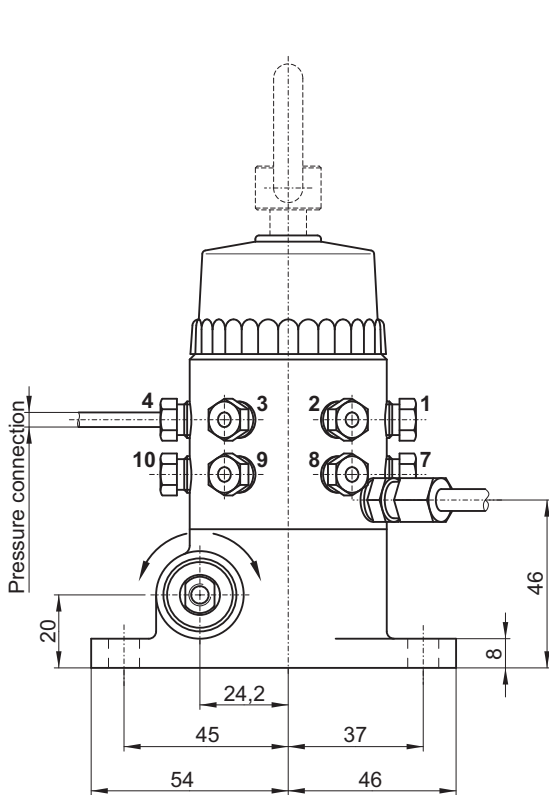
Type number	2240											
Code-no.	2240											
Reduction	8:1			16:1			25:1			50:1		
Drive position	1	2		1	2		1	2		1	2	
Code-no.	05	15		04	14		01	11		02	12	
Pressure connection	No. of outlets											
Outlet type	1	2	3	4	5	6	7	8	9	10	11	12
Solderless pipe Ø4 mm	01	02	03	04	05	06	07	08	09	10	11	12
Solderless pipe Ø6 mm	21	22	23	24	25	26	27	28	29	30	31	32
Ring piece for soldering in pipe Ø4 mm	41	42	43	44	45	46	47	48	49	50	51	52
Ring piece for soldering in pipe Ø6 mm	61	62	63	64	65	66	67	68	69	70	71	72
Suction connection	straight pipe Ø6 mm						ring piece pipe Ø6 mm					
Code-no.	1						2					
Hand crank	without				with (non-revolving)				revolving			
Code-no.	0				1				8			
Special models												

06-1-30-03 state: 09.14EN

1090200394

© BEKA 2014 All rights reserved!

Subject to alterations!



The arrangement of the pressure connections and the suction connection is done in the order of the numbering. If the arrangement is wished otherwise, this has to be indicated when the order is placed.