

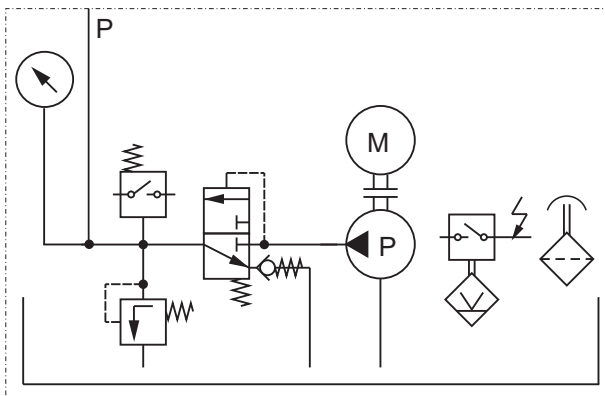
Technical description

The single line unit BEKA XLube supplies the lubrication points by dynamic metering valves or static metering valves.

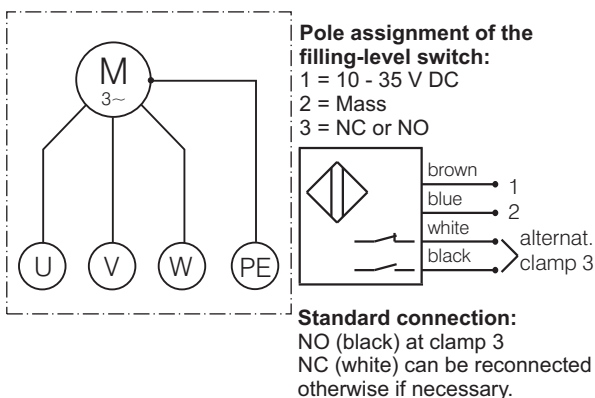
The single line pump BEKA XLube can be controlled with an external control device.



Hydraulic diagram



Connection diagram (without control unit)



Technical Data

Unit

Pump type:	gear pump
Output rate:	0,25 l/min
Operating pressure:	max. 28 bar
Lubricant:	oil fluid grease NLGI cl. 000-00 (according to release list)
Viscosity range:	20 - 700 mm ² /s
Temperature range:	medium 0 - 70°C ambient 0 - 40°C
Reservoir capacity:	1,2 l
Reservoir material:	plastic, transparent

Motor

Drive:	electric motor KM4030/2
Power:	67 W
Operating pressure :	230 V AC, 50/60 Hz
Revolutions:	2800 r/min

Float switch (oil)

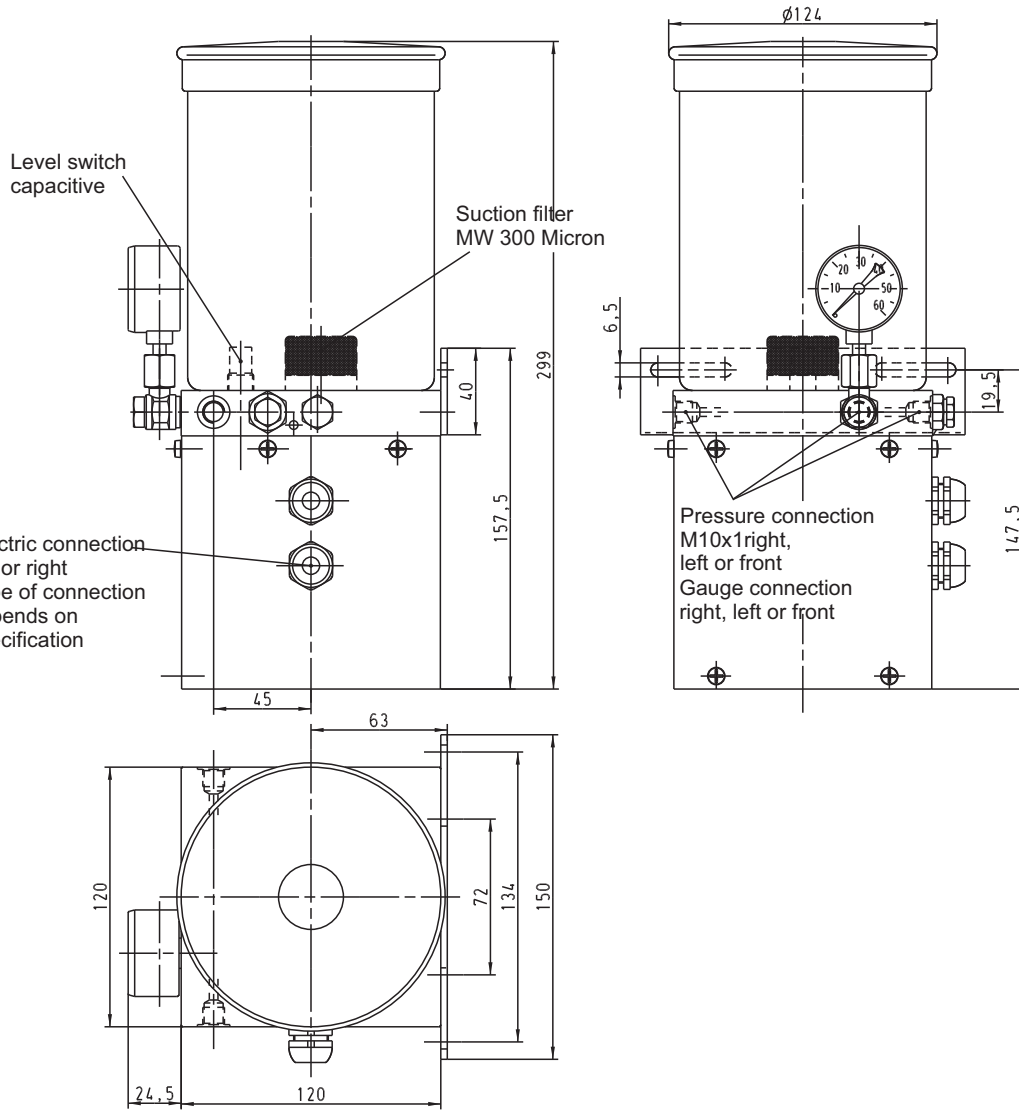
Voltage:	250 V AC/DC
Starting current:	0,5 A
Capacity:	10 VA
Switch:	standard NO contact (opening contact by turning of the float)

Proximity switch (fluid grease)

Voltage:	10 - 60 V DC
Switching type:	pos. switch NC/NO
Switching:	200 mA
Current consumption (without load):	< 20 mA
Protection class:	switch IP 67, plug IP 54

Pressure switch

Voltage:	42 V
Capacity:	100 VA
Connection:	AMP 6,3 x 0,8



FAZ03693-00

Order key type-no. 2712

2712.1.1.1.3.1.2.2.XX

Delivery rate	0,25 l/min			
Code-no.	1			
Pressure connection	M10x1-R	M10x1-L	M10x1-V	
Code-no.	1	2	3	
Level monitoring	without	with, for oil	with, for fluid grease	
Code-no.	0	1	2	
Pressure gauge	without	with, right	with, left	with, front
Code-no.	0	1	2	3
Pressure switch	without	mit		
Code-no.	0	1		
Electric connection	left	right		
Code-no.	1	2		
Voltage	230 V			
Code-no.	2			
Special models				